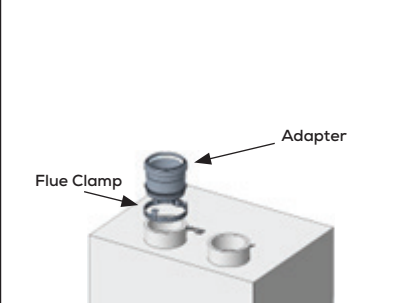
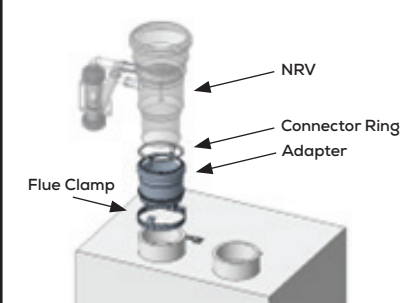
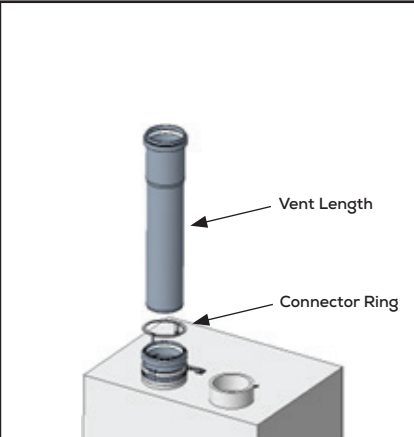
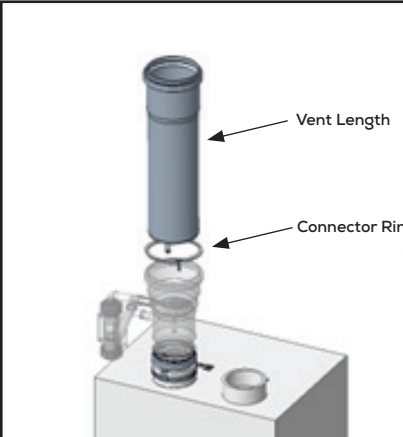
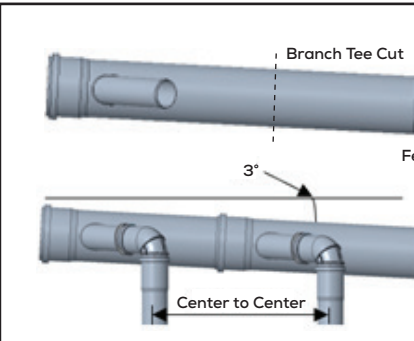
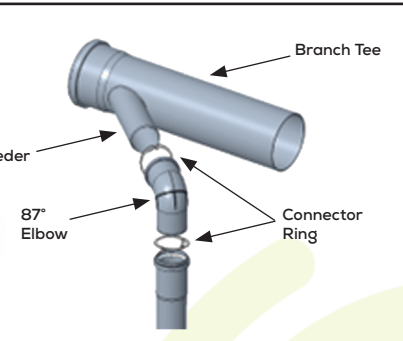
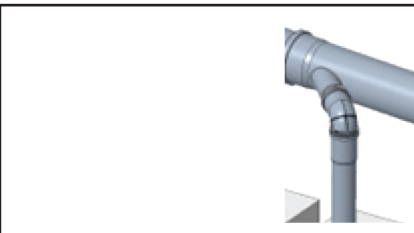
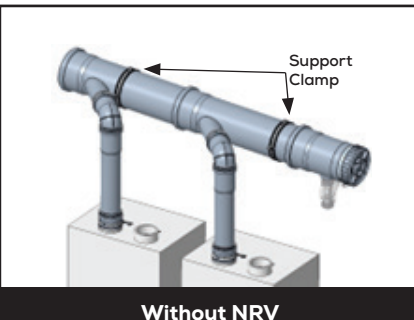
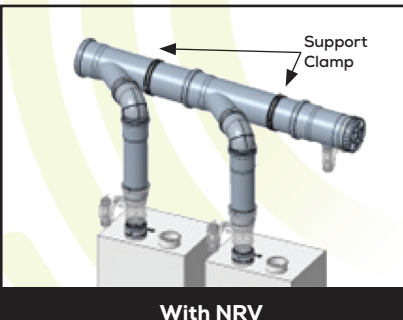


Inline Common Venting Installation - Exhaust

ICV2024
09v01

Note: Use Centrocerin® lubricant at each connecting point. All 2", 3", and 4" exhaust vent lengths require connector rings at each fitting point.

| Without NRV | With NRV |
|---|--|
|  <p>Flue Clamp</p> <p>Adapter</p> |  <p>Flue Clamp</p> <p>NRV</p> <p>Connector Ring</p> <p>Adapter</p> |
|  <p>Vent Length</p> <p>Connector Ring</p> |  <p>Vent Length</p> <p>Connector Ring</p> |
|  <p>Branch Tee Cut</p> <p>Feeder</p> <p>3°</p> <p>Center to Center</p> |  <p>Branch Tee</p> <p>87° Elbow</p> <p>Connector Ring</p> |
|  <p>Horizontal Drain Fitting</p> <p>Short John Ball Valve Siphon</p> | |
|  <p>Support Clamp</p> |  <p>Support Clamp</p> |

1. If an adapter and flue clamp are required, install into exhaust outlet.

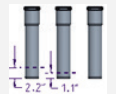
2. If non-return valve (NRV) is required, insert after adapter. Install and secure with connector rings.

3. If necessary, cut vent length to desired length for first unit. After the first unit, each vent length must be shortened enough to achieve the required 3° pitch. To determine the length to cut off, multiply the exhaust outlet center to center spacing by 0.053.

Ex: If center to center spacing is 20.75":
20.75 × 0.053 = 1.1"

After the first unit, cut 1.1" off length.

After the second unit, cut 2.2" off length.



4. Insert cut vent lengths into female. Install and secure with connector rings.

5. Cut branch tee to appropriate length according to outlet center to center spacing.

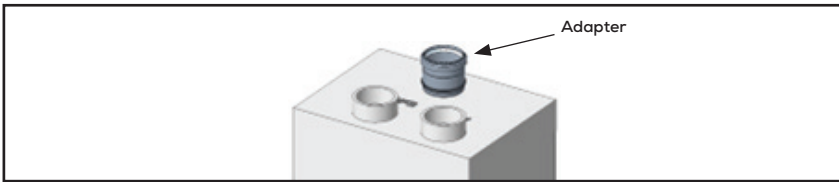
6. Securing each joint with a connector ring, connect the branch tee feeder to 87° elbow. Then, connect elbow to vent length. Repeat this process, inserting a branch tee into the next branch tee for each appliance creating the common vent manifold.

7. Attach condensate management components: horizontal drain fitting and short john ball valve siphon.

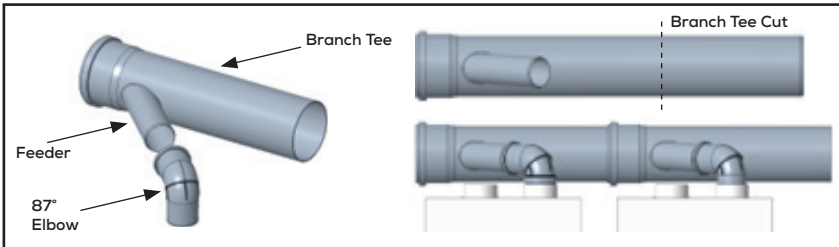
8. Ensure each connection is securely fastened using connector rings where applicable, and that the manifold is pitched properly. Support branch tees of common vent manifold with support clamps.

Inline Common Venting Installation – Air Intake

Note: Use Centrocerin® lubricant at each connecting point. Connector rings not required for intake.

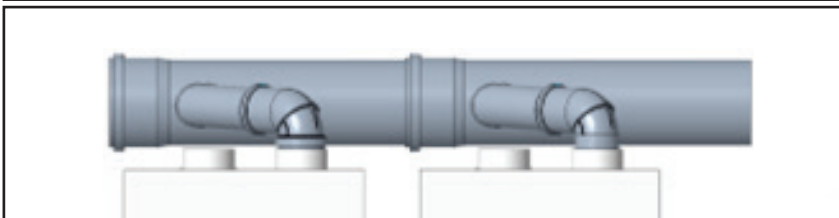


1. If an adapter is required, install into inlet.

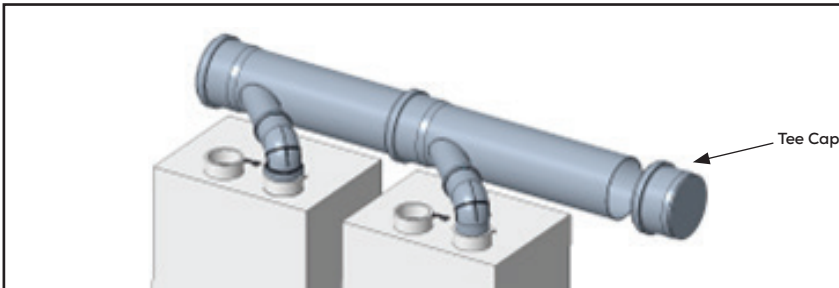


2. Cut branch tee to appropriate length according to inlet center to center spacing.

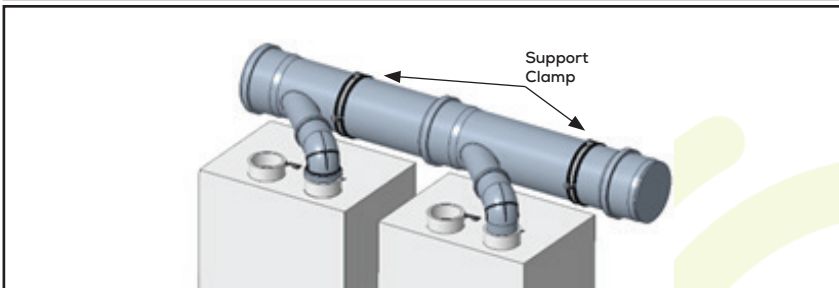
3. Attach 87° elbow onto the branch tee feeder.



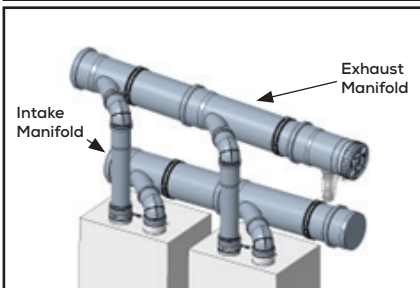
4. Insert 87° elbow into the adapter or appliance outlet. Repeat this process, inserting a branch tee into the next branch tee for each appliance creating the common vent manifold.



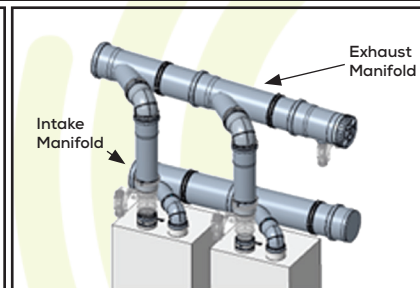
5. Attach tee cap to common air intake manifold.



6. Add support clamps as needed.



Without NRV



With NRV

Final assembly – shown with Inline Exhaust and Inline Air Intake manifolds.

